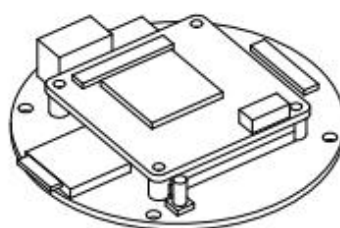
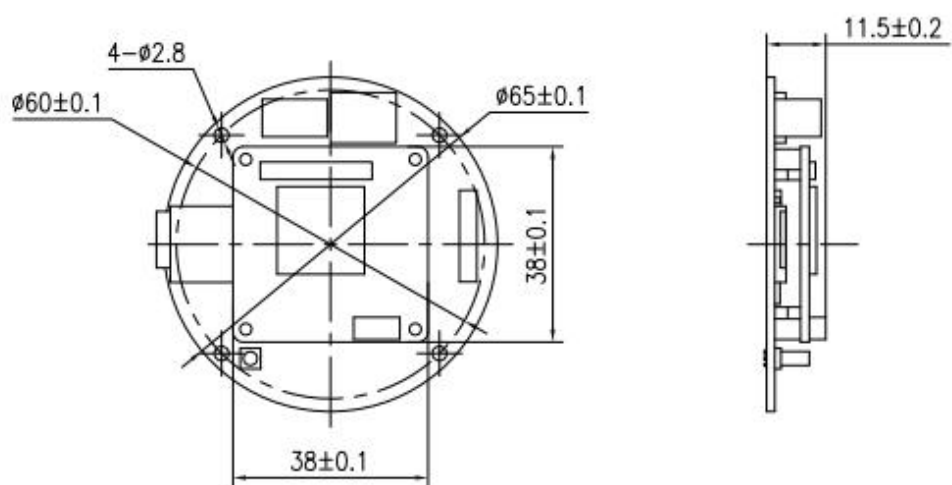


Product highlights:

1. Integrated Video Tracking
2. High image quality and scene adaptability
3. Support for external input video (picture-in-picture)
4. OSD interface display
5. Custom character overlays
6. Rich communication interfaces
7. Small size, low power consumption

Dimensions



Parameters

MODEL		H2K-C
video format	Video input	HD 1080p
	Video input -cameralink	640×512
	Video output	HD 1080p
	Video storage	SD card for JPEG/H.264 (default 32G, support up to 128G)
Tracking index	Frequency	25Hz-60Hz
	Minimum target contrast	5%
	Tracking speed	±32 pixels/frame
	Target effective memory	100 frames
	Target size	16×16~128×128pixels
Electrical interface	Video input	LVDS
	Video input	cameralink
	Video output	SDI +Net
	Communication interface	RS422/TTL
	Power input	DC 12V
Environment suitability	Working temperature	-40℃~60℃
	Storage temperature	-45℃~65℃
Others	Size	Φ65mm*11.5mm
	Weight	<34g
	Power	<3W (@25℃)